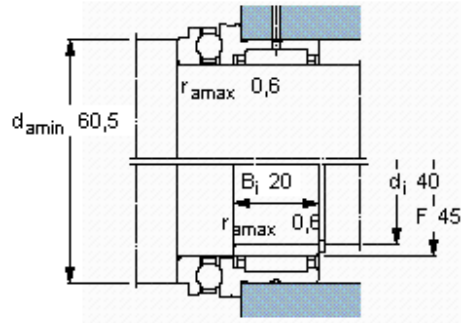
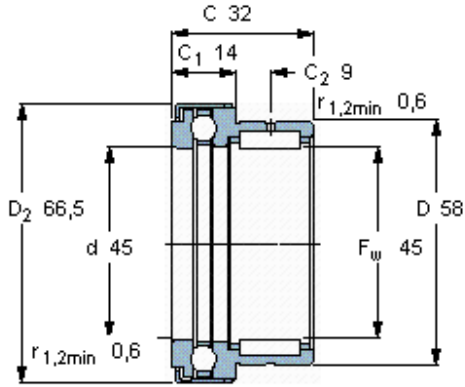


1\_18, needle roller/full complement thrust ball bearings

Principal dimensions			Basic load ratings				Speed ratings		Limiting speed	Designation
F <sub>w</sub>	D	C	radial dynamic C	static C <sub>0</sub>	axial dynamic C	static C <sub>0</sub>	Reference speed			
mm			kN				r/min		-	
<b>45</b>	58	32	27,5	57	28,1	75	4500	3800	<b>NKX 45 Z</b>	



**Appropriate inner ring**

IR 40x45x20